

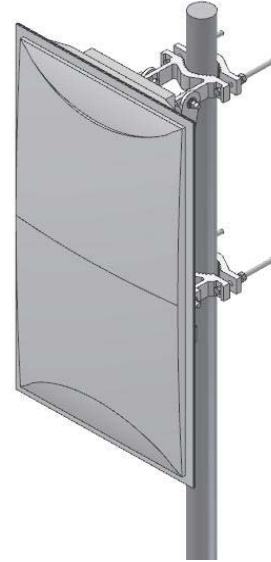
WIMAX ULTRA F-B Panel Antenna

2500 ~ 2600 MHz / 15 dBi

WM-FBI-15S

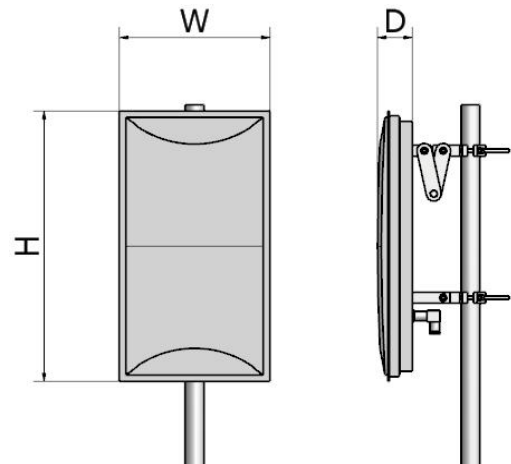
i. Electrical Specification

Frequency Range	2500 ~ 2600 MHz	
Polarization	Vertical	
Band Width	100 MHz	
Gain	≥ 15 dBi	
Beam width	Horizontal	42° ± 5°
	Vertical	17° ± 5°
F-B ratio	Horizontal	≥ 30 dB @ 180 ± 90°
	Vertical	≥ 40 dB @ 180 ± 90°
Sidelobe	≥ 30 dB	
VSWR	1 : 1.5	
Impedance	50 Ω	
Maximum input power	100 W	

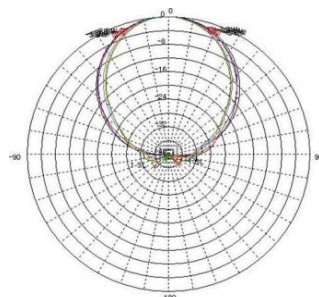


ii. Mechanical Specification

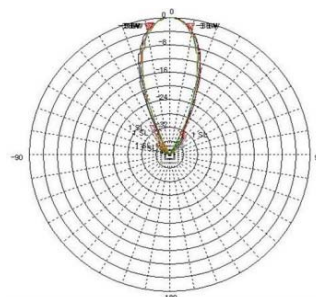
Radom Dimension (H x W x D)	736 x 400 x 90 mm	
Weight (Include bracket)	≤ 7.5 kg	
Connector Type	DIN – J Female	
Withstand Wind Pressure	60 m/sec	
Radome Material	FRP	
Radome Color	Gray	
Mechanical Down Tilt	20°	
Temperature	-40 °C ~ 70 °C	
Packing Size (H x W x D) SET	-	
Packing Weight SET	-	



iii. Radiation Pattern



Horizontal Pattern



Vertical Pattern